

## QMS-G3 Keypad Prepaid Gas Meter



Automatic valve controlling



Ingress protection IP67 waterproof



Up to 6 years battery life



STS Standard



Real-time clock



Utilities can set step price into meter on request



Anti-Tamper  
Magnetic field protection



The QMS-G3 is an STS Standard compliant, keypad type, automatically valve controlled prepaid gas meter. It can be topup by Quick Meters Software with 20 digital Token.

### Payment Method Supported

- \* Mpesa
- \* Airtel Money
- \* Mtn Momo
- \* Mixx (Tigo Pesa)
- \* Waafi (Evc Plus, Sahal, Zaad, Jeeb)
- \* E-Dahab
- \* Telebirr
- \* Premier wallet, Tplus, E-Besa and more

### Application:

Measuring the volume of gas through gas pipes.

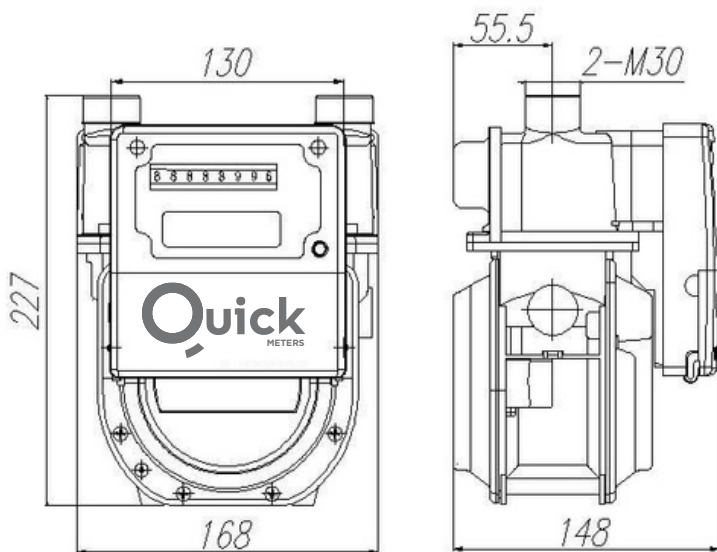
### Compliance with Standard

- \* ISO 9001 ; ISO 14001
- \* STS Certificated

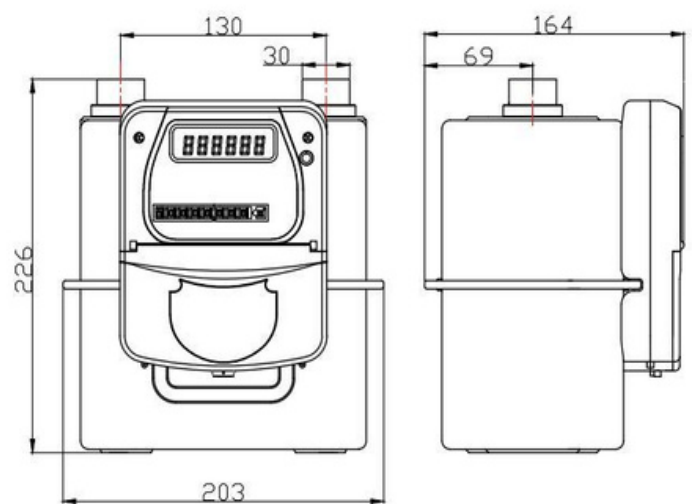
## Metrological Parameters of different size

Size	G1.6	G2.5	G4
Nominal Flow Rate	1.6 m <sup>3</sup> /h	2.5 m <sup>3</sup> /h	4 m <sup>3</sup> /h
Maximum Flow Rate	2.5 m <sup>3</sup> /h	4 m <sup>3</sup> /h	6 m <sup>3</sup> /h
Minimum Flow Rate	0.016 m <sup>3</sup> /h	0.025 m <sup>3</sup> /h	0.04 m <sup>3</sup> /h
Cyclic Volume	0.7dm <sup>3</sup>	1.2 dm <sup>3</sup>	2dm <sup>3</sup>
Maximum working pressure	0.7 Bar	0.7 Bar	0.7 Bar
Pressure loss	<200 Pa	<200 Pa	<200 Pa
Maximum reading	9999 9	9999 9	99999
Working temperature	-20-50°C	-20-50°C	-20-50°C
Storage Temperature	-30-60°C	-30-60°C	-30-60°C
Error : $Q_{min} \leq Q \leq 0.1Q_{max}$	±3	±3	±3
$0.1Q_{max} \leq Q \leq Q_{max}$	±1.5	±1.5	±1.5

### Meter Dimension



Aluminum Body



Steel Body

## Factory Price

- G1.6 = \$42
- G2.5 = \$43
- G4 = \$46

## Meter Weight

- G1.6 - 2.4Kg
- G2.5 - 2.4Kg
- 64 - 2.4Kg

## Debt Collection

If you owe customers money from before the smart meter was installed, you can recover it by deducting a small percentage from each transaction. The system allows you to set the percentage and track the debt until it is fully collected.

## Basic Functions

- \* **Meter Recharge:** By inputting 20 digits Token.
- \* **Low Credit Alarm:** Alarm value can be set by inputting corresponding TOKEN.
- \* **Non-return valve:** Non-return valve inside for preventing back-flow.

## Anti-Tamper Fuctions

Meter will automatically close the valve after detection of magnetic field and open cover event. Working normally after inputting clear tamper Token.

## We Provide

- \* Mobile Payment
- \* USSD Service
- \* Sms Service
- \* Software

## Information Inquiry

Consumer could check the data like Credit Remain, Total Purchased and Total Credit by input the shortcode.

## Liquid Display

