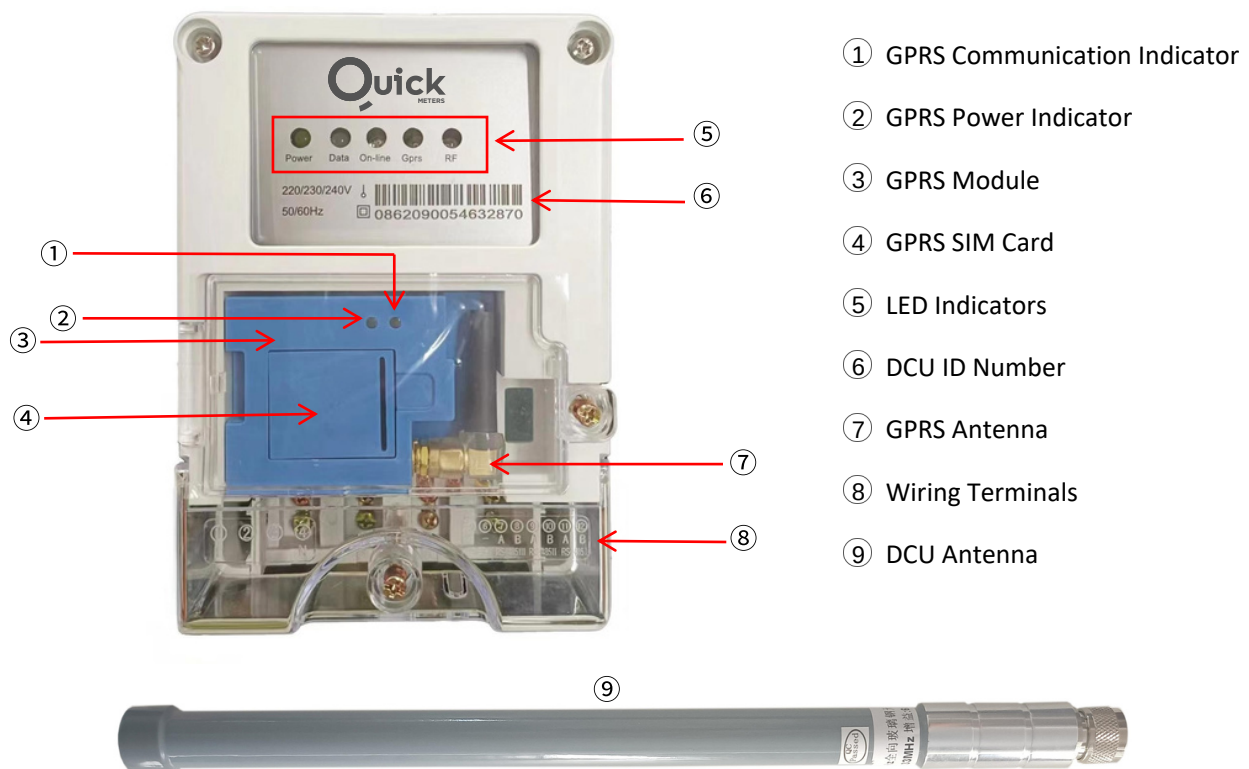


QMS-G1 Smart Gateway

QMS-G1 Smart Gateway is dedicated to Smart Metering application and designed as a gateway between metering devices and Quick Meters Software.

QMS-G1 creates two ways communication from metering points to Quick Meters Software, performs task setting, data collection, data transmission and data storage, meter management, GPRS information task execution and RF network management.

QMS-G1 utilize efficiently LORA-RF media for downlink communication to smart meters and GPRS for uplink communication.

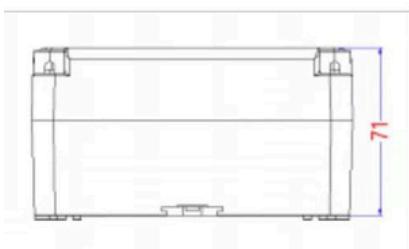
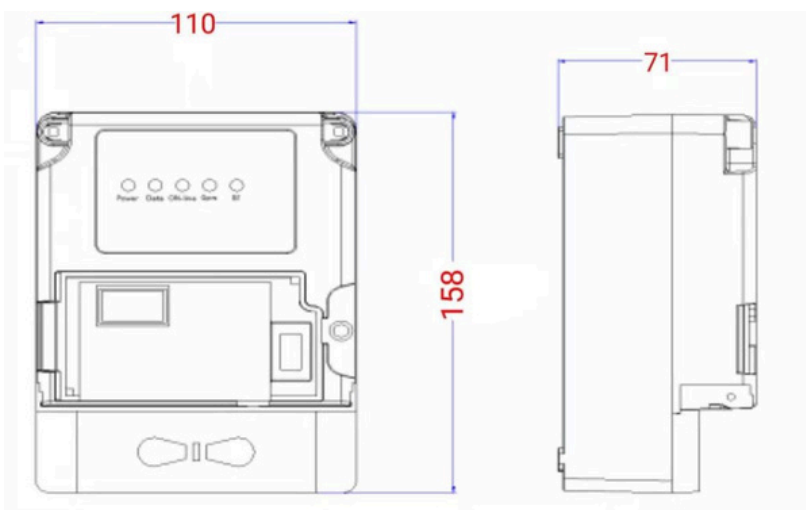


- The Gateway Cover is made of environmental protection materials, materials pollution-free, safe and reliable.
- The exterior structure has IP54 protection grade, with a certain waterproof and dust proof effect. There are 5 LED indicators to show the status of the Gateway.
- Equipped with a 433MHz extended antenna, it greatly increases the communication range and stability of the centralized meter reading.

- Internal switch power supply for the whole machine, with the characteristics of wide voltage work and lighter weight. A separate GPRS module box, coupled with the external protection of transparent clam shell, makes the GPRS module more secure.
- The Gateway is fully compliant with STS certification standards. Production according to ISO9001 and ISO14001 standards, ensures the reliability and stability of the product, and can effectively improve the service life of the Gateway.

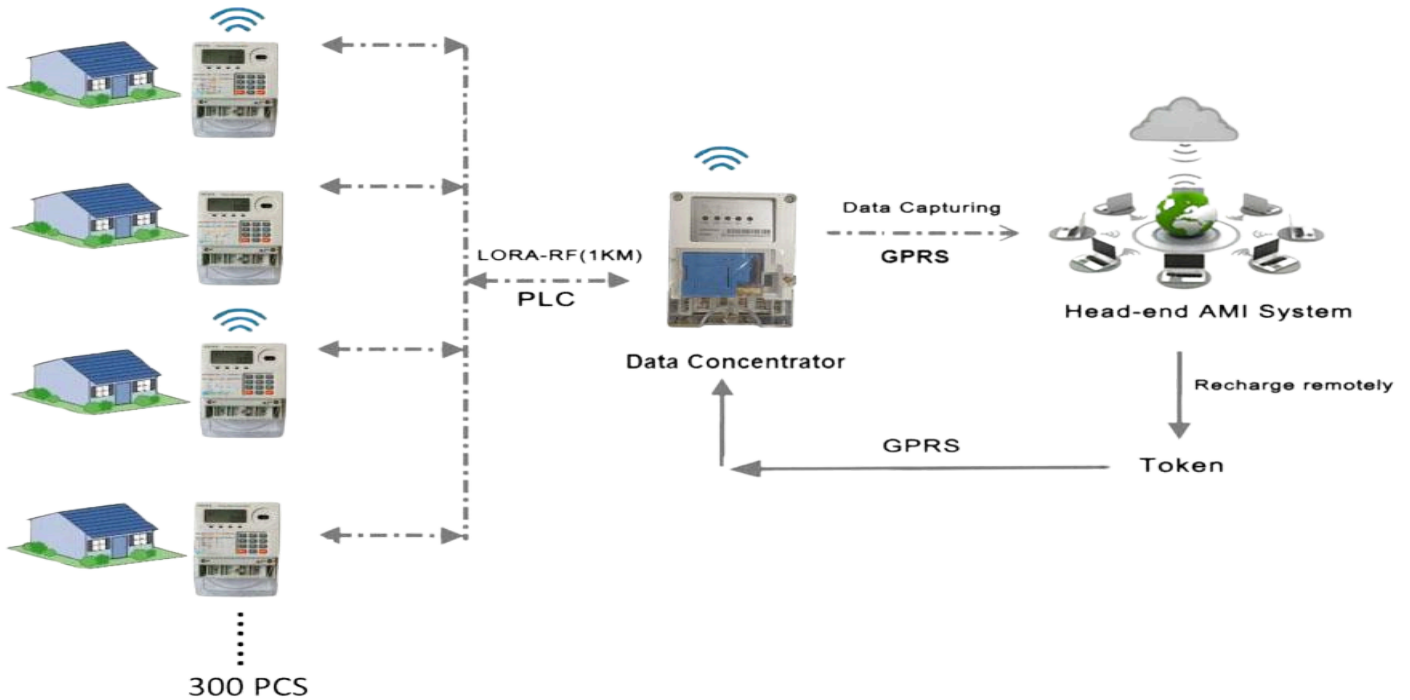
Features

- STS standard compliant
- LORA-RF downlink to smart meters
- GPRS uplink communication with a head-end Quick Meters Software.
- Data collection include total consumption/ historical daily & monthly consumption
- Meter parameter/ status/ Real-time data reading
- Tamper event record and upload automatically
- Easy to install due to BS mounting

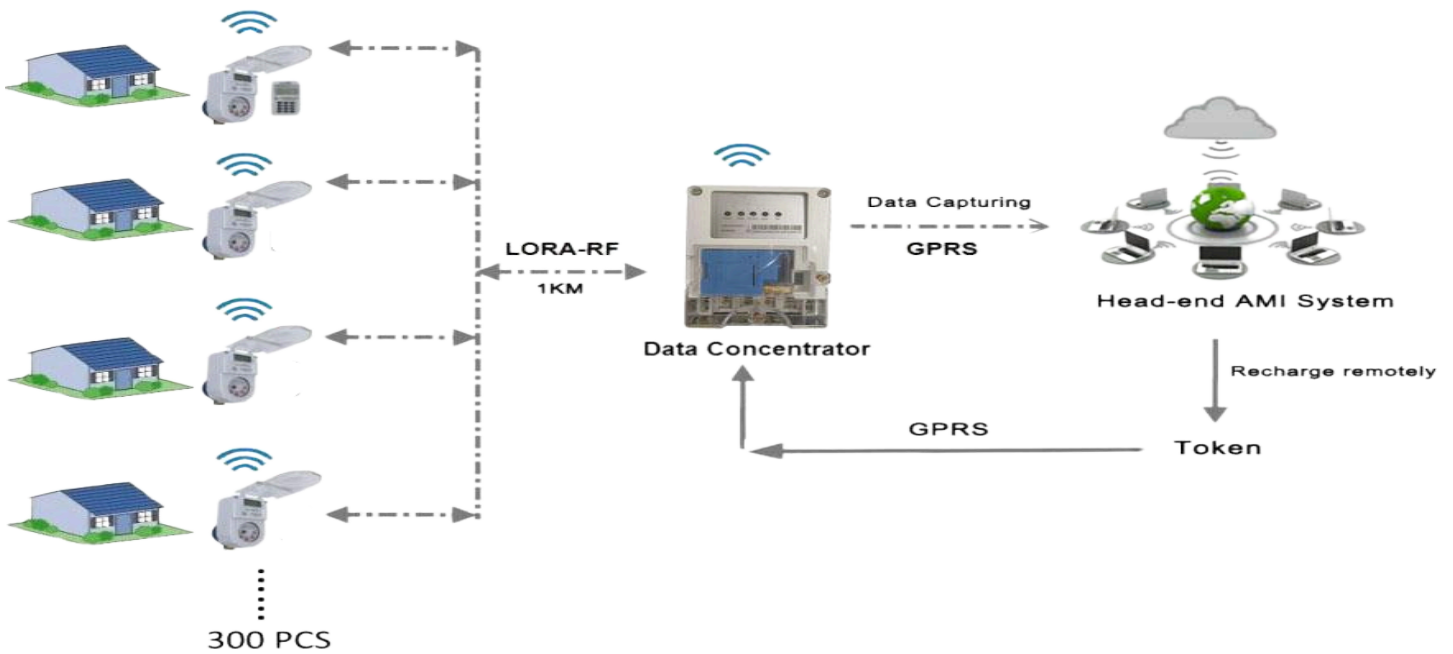


Product Name	QMS-G1 Smart Gateway	
Size	2G	4G
Working Voltage	AC 160V-300V	
Frequency	45Hz-65Hz	
Working Temperature	-25°C~70°C	
Humidity Requirement	95%	
Communication Module	GPRS/LORA-RF	
RS485 Port	115200bps	
Number of Connected Meters	300pcs	
Maximum Operating Current	500mA	
Current in Sleeping State	0.2mA	
Downlink communication range	1000m	
Dimension	158mm*110mm*71mm	
Weight	0.7kg	
Cost	\$300 Factory Price	

Electric Meters



Water Meters



Gas Meters

